



**A. Lanfranco
& Associates Inc.**

Environmental Consultants

Prepared for

METRO VANCOUVER

**Metrotower III 4730 Kingsway
Burnaby, BC V5H 0C6**

WASTE TO ENERGY FACILITY

Emissions Test Report

November 2020 4th Quarter Survey

Operational Certificate 107051

Prepared by Louis Agassiz

Issued: December 18, 2020

CERTIFICATION

The field monitoring for this survey was conducted by certified stack test technicians as required by the British Columbia Ministry of Environment (BC MOE) Field Sampling Manual.

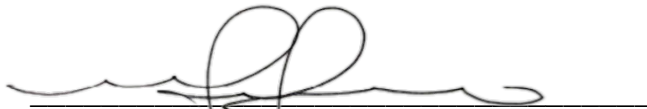
The field crew consisted of:

Mr. S. Harrington (certified), Mr. C. Lanfranco (certified), Mr. S. Ferguson (certified), Mr. J. Gibbs (certified) and Mr. J. Ching.

The report was prepared by Mr. L. Agassiz using reporting principles and guidelines generally acceptable to Metro Vancouver (MV).

The field crew and A. Lanfranco and Associates Inc. certify that the test methods used were BC MOE/MV approved reference methods for the parameters investigated.

Report reviewed by:



Mark Lanfranco, CST
President | Owner

Table of Contents

SUMMARY	1
1 INTRODUCTION	2
2 METHODOLOGY	3
2.1 Sampling and Analytical Methods	3
2.2 Method Modifications	8
2.3 Calculations	9
2.3.1 Parameter Concentration Calculations	9
2.3.2 Isokinetic Variation Calculations	11
2.3.3 Volumetric Flowrate Calculations	13
3 DETAILED TEST RESULTS	14
4 DISCUSSION	20

List of Tables

Table 1: Summary Comparison of Emissions Test Results with Limits	1
Table 2: Reference Methods	3
Table 3: Unit 1 Summary of Emission Test Results.....	14
Table 4: Unit 1 Trace Metals Emissions (OC Class).....	15
Table 5: Unit 1 Detailed Trace Metals Emissions	15
Table 6: Unit 2 Summary of Emission Test Results.....	16
Table 7: Unit 2 Trace Metals Emissions (OC Class).....	17
Table 8: Unit 2 Detailed Trace Metals Emissions	17
Table 9: Unit 3 Summary of Emission Test Results.....	18
Table 10: Unit 3 Trace Metals Emissions (OC Class).....	19
Table 11: Unit 3 Detailed Trace Metals Emissions	19

SUMMARY

The following table shows the emission results from the three units located at Metro Vancouver's Waste-To-Energy Facility (WTEF) as well as the current emission limits as defined by the Operational Certificate (OC) issued by BC Ministry of Environment & Climate Change Strategy. This compliance survey represents the fourth quarter of 2020.

Table 1: Summary Comparison of Emissions Test Results with Limits

Parameter	Limit	Unit 1	Unit 2	Unit 3	Plant Average
Test Date		16-17 Nov 2020	17-18 Nov 2020	18-19 Nov 2020	
Particulate (mg/m³ @ 11% O₂)	9.0	0.78	1.41	0.38	0.86
Hydrogen Fluoride (mg/m³ @ 11% O₂)	1.0	0.011	0.029	0.003	0.014
Trace Metals - OC Class (mg/m³ @ 11% O₂)					
Lead (Pb)	-	0.0035	0.0007	0.0009	0.0017
Arsenic (As)	-	0.0012	0.0003	0.0007	0.0007
Chromium (Cr)	-	0.0012	0.0122	0.0008	0.0047
OC Class Sum (Pb, As and Cr)	0.064	0.0059	0.0131	0.0024	0.0071
Mercury (mg/m³ @ 11% O₂)	0.02	0.0016	0.0005	0.0016	0.0012
Cadmium (mg/m³ @ 11% O₂)	0.007	0.0011	0.0001	0.0001	0.0004

All data is corrected to standard conditions (S) of 20 °C, 101.325 kPa (dry) unless otherwise noted.

The testing did not differ significantly from the previous three surveys in 2020 other than the particulate from Unit 2 which is slightly elevated compared to the last survey.

1 INTRODUCTION

Metro Vancouver (MV) commissioned an emission survey at the Waste-To-Energy Facility (WTEF) in Burnaby BC, as required by the provincially approved Operational Certificate (OC). This report documents the results of a survey on Units 1, 2 and 3 for the fourth survey of four for the year 2020. This survey includes filterable particulate matter, trace metals, mercury (Hg), hydrogen fluoride (HF), ammonia (NH₃) and nitrous oxide (N₂O). A. Lanfranco and Associates Inc., of Surrey, B.C., conducted the sampling program on behalf of MV. The sampling program consisted of, but was not limited to, the planning, execution, analysis, and reporting of three emission sources located at the WTEF.

This report includes a comparison of emission results to limits established in the OC, detailed emission results, a brief outline of methods employed, equipment used, and a discussion of the survey. All supporting data and appendices are presented under separate cover.

The individual sources that were monitored for compliance are identified as Unit 1, Unit 2 and Unit 3 which represent the three distinct processing lines at the WTEF. The three boilers are identified as discharge E300670 in the operational certificate.

Sampling was conducted on November 16-19, 2020.

2 METHODOLOGY

All services provided by A. Lanfranco and Associates Inc. were conducted in accordance with approved reference methods as issued by:

- Metro Vancouver (MV)
- BC Ministry of Environment & Climate Change Strategy (BC MOE)
- Environment Canada (EC)
- US Environmental Protection Agency (EPA)

2.1 Sampling and Analytical Methods

The following table lists the test methods used for the different parameters measured. The subsequent paragraphs briefly describe each method.

Table 2: Reference Methods

<u>Parameter</u>	<u>Reference Method</u>
Sample and Velocity traverse points	EPS 1/RM/8 A Determination of Sampling Site and Traverse Points
Velocity and flowrate	EPS 1/RM/8 B Determination of Stack Gas Velocity and Volumetric Flow Rate (Type S Pitot Tube)
Gas molecular weight (O ₂ /CO ₂)	EPS 1/RM/8 C Determination of Molecular Weight by Gas Analysis
Flue gas Moisture	EPS 1/RM/8 D Determination of Moisture Content
Particulate Matter	EPS 1/RM/8 E Determination of Particulate Matter Emissions from Stationary Sources
Trace Metals with Mercury	EPA Method 29 Determination of Metals Emissions from Stationary Sources
Hydrogen Fluoride (HF)	EPS1/RM/1 Reference Method for Source Testing: Measurement of Releases of Gaseous Hydrogen Chloride from Stationary Sources
Nitrous Oxide (N ₂ O)	N/A
Ammonia (NH ₃)	EPA Method CTM 027

Sampling Site and Traverse Points

Primary: EPS 1/RM/8 Method A

Supporting: EPA Method 1

This method is designed to aid in the representative measurement of pollutant emissions and/or total volumetric flow rate from a stationary source. A measurement site where the effluent stream is flowing in a known direction is selected, and the cross-section of the stack is divided into a number of equal areas. Traverse points are then located within each of these equal areas.

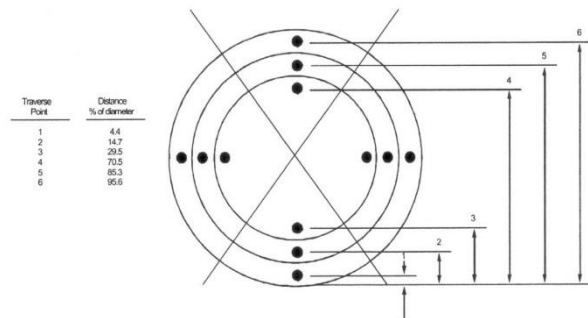


Figure 1. Example showing circular stack cross section divided into 12 equal areas, with location of traverse points.

Stack Gas Velocity and Volumetric Flow Rate

Primary: EPS 1/RM/8 Method B

Supporting: EPA Method 2

The average gas velocity in a stack or duct is determined from the gas density and from the measurement of velocity pressure with an S-type pitot tube. A standard pitot tube may be used where plugging of the tube openings due to particulate matter and/or moisture is not likely to occur. Stack gas volumetric flow rate is determined from measurements of stack gas velocity, temperature, absolute pressure, dry gas composition, moisture content, and stack diameter.

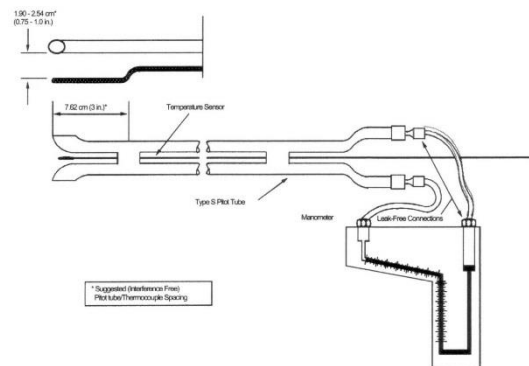


Figure 2. Type S Pitot Tube Manometer Assembly

Molecular Weight by Gas Analysis

Primary: EPS 1/RM/8 Method C
Supporting: EPA Method 3

An integrated or grab sample is extracted from a single point in the gas stream and analyzed for its components using a Fyrite analyzer, a gas chromatograph, or calibrated continuous analyzers.

Moisture Content

Primary: EPS 1/RM/8 Method D
Supporting: EPA Method 4

A gas sample is extracted from a single point in the enclosed gas stream being sampled. The moisture is condensed, and its weight measured. This weight, together with the volume of gas sampled, enables the stack gas moisture content to be calculated.

Particulate Matter

Primary: EPS 1/RM/8 Method E
Supporting: EPA Method 5

Particulate matter is withdrawn isokinetically from a number of sampling or traverse points in an enclosed gas stream. The particulate sample is collected in the nozzle, probe, and on a glass fibre filter, all maintained at a temperature of $120 \pm 14^{\circ}\text{C}$ or such other temperature as is necessary to prevent blinding of the filter from condensation. The particulate weight is determined gravimetrically after removal of uncombined water. Simultaneous determinations of the gas stream moisture content, velocity, temperature, and molecular weight allow calculations of the particulate concentration and the particulate mass emission or release rate to be made.

Trace Metal

Primary: EPA Method 29 (modified)

This method is used in conjunction with the above Method 5. A stack sample is withdrawn isokinetically from the source. Particulate emissions are collected in the probe and on a heated filter, and gaseous emissions are then collected in an aqueous acidic solution of hydrogen peroxide (analyzed for all metals including Hg) and an aqueous acidic solution of potassium permanganate (analyzed only for Hg). The recovered samples are digested, and appropriate fractions are analyzed for Hg by cold vapour atomic absorption spectroscopy (CVAAS). The remaining trace metals are analyzed with inductively coupled argon plasma emission spectroscopy (ICAP), atomic absorption spectroscopy (AAS) and graphite furnace atomic absorption spectroscopy (GFAAS). Figure 3 displays the sample train and its configuration.

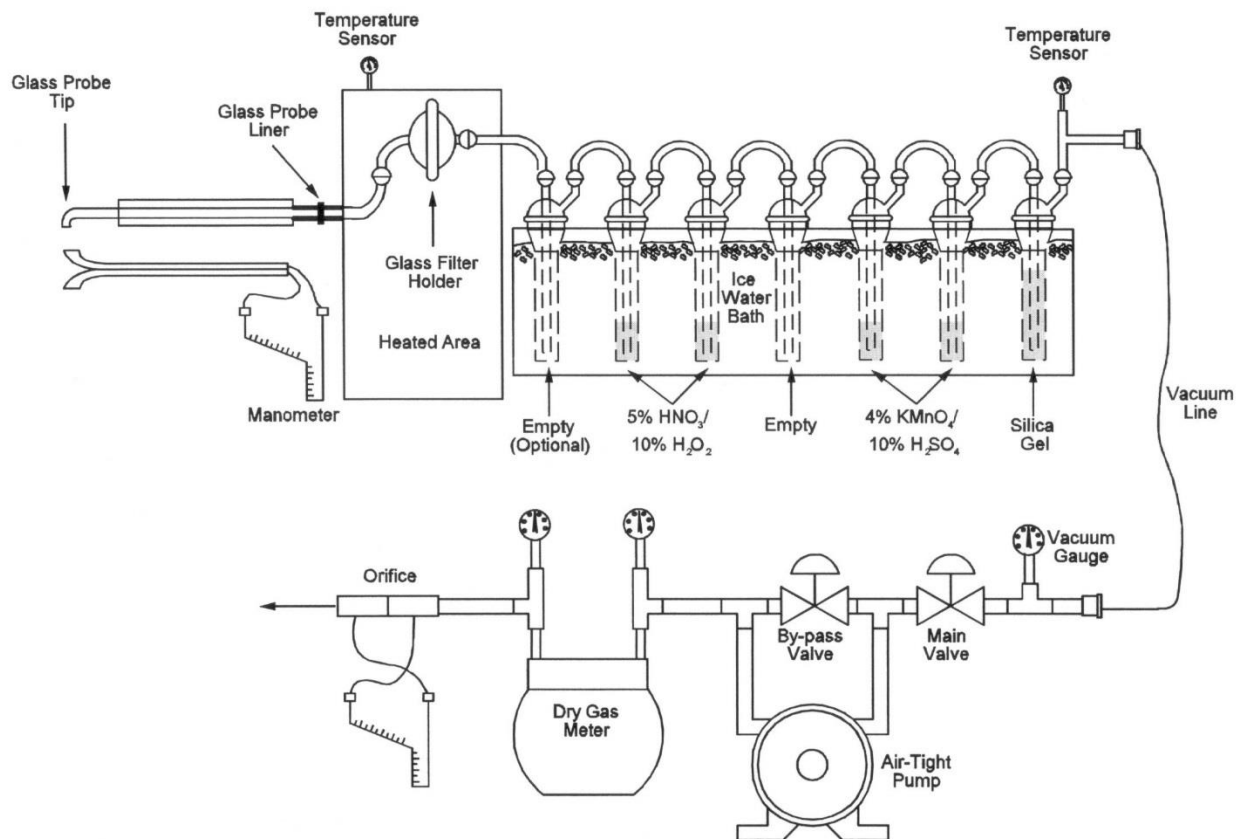


Figure 3. Particulate / Trace Metals Sampling Train

Hydrogen Fluoride

Primary: EPS 1/RM/1

Supporting: BC Method 7176106 & 7066101

HF is sampled in a four-impinger train consisting of two impingers containing distilled/deionized H₂O, one empty impinger, and a fourth containing silica gel. A sample of the stack gas is extracted from a single point near the centre of the stack over the sample duration at a constant rate. The collected samples are measured for F by ion chromatography at ALS Environmental in Burnaby, BC.

N₂O

Primary: N/A

Three N₂O samples were collected from each source using Viasensor G200 Medical Grade gas analyser, factory calibrated to Nitrous Oxide. The flue gas was introduced to the G200 after passing through a soda lime filter to remove CO₂. Multiple readings were taken over an one hour period, these readings were averaged on the analyzer and recorded on the data sheet.

Ammonia

Primary: EPA Method CTM-027

The absorbing solution in the first two impingers is 0.1 N H₂SO₄ and the triplicate samples were extracted at a constant rate for 60-minute durations. The collected samples are analyzed at Element Laboratories in Surrey, BC

Method Modifications

Three minor method modifications were instituted for this work.

1. Reagent blanks for metals trains were made to the same volumes as all samples. In other words, exactly 100 ml of the various reagents used to recover samples was NOT done, as some sample components (probe washing for example) required more than 100 ml to adequately clean and rinse the probe. Instead, sample recovery was conducted with however much rinsing was deemed adequate. In the laboratory, the blanks and samples were made up with the appropriate reagent so that all samples and blanks were the same volume.
2. Filter and residue weighing were not conducted with the six-hour interval technique. Instead the sample filters and beakers were conditioned with cooling and desiccation and then weighed on two separate laboratory scales after 24 hours. Duplicate or triplicate Blank samples were carried through the gravimetric analysis, and the sample results were adjusted with the Blank data to determine the net filter and probe wash residue weight gain. This is the Environment Canada approved modified approach for weighing probe wash residue.
3. For the purposes of calculating a result, all parameters were given the value of $\frac{1}{2}$ the detection limit when the analysis yielded 'non-detect' results.

All results are expressed using the metric system and corrected to standard conditions of 20 °C and 101.325 kPa, dry gas (unless otherwise noted).

2.2 Calculations

The following sections show the equations and define the variables that were used for this survey. The equations are organized in three sections. Equations 1-11 were used to calculate parameter concentration at standard conditions on a dry basis. Equations 12-26 were used to sample within the $100 \pm 10\%$ isokinetic variation and to confirm that sampling meets this isokinetic variation threshold. Equations 27-29 were used to calculate the volumetric flowrate of the stack flue gas.

2.2.1 Parameter Concentration Calculations

$$c = \frac{m}{V_{std}} \quad \text{Equation 1}$$

$$m_{part} = m_{filter} + m_{pw} \quad \text{Equation 2}$$

$$m_i = m_{ana,i} - m_{blank} \quad \text{Equation 3}$$

$$m_{HF} = \frac{20.006}{18.998} (m_F - m_{blank}) / 1000 \quad \text{Equation 4}$$

$$V_{std} = \frac{V_{std(imp)}}{35.315} \quad \text{Equation 5}$$

$$V_{std(imp)} = \frac{V_{samp} \times y \times P_m \times (T_{std} + 459.67)}{P_{std} \times (T_{m(ave)} + 459.67)} \quad \text{Equation 6}$$

$$V_{samp} = V_{final} - V_{init} \quad \text{Equation 7}$$

$$P_m = P_B + \frac{\Delta H_{ave}}{13.6} \quad \text{Equation 8}$$

$$\Delta H_{ave} = \frac{1}{n} \sum_{i=1}^n \Delta H_{i(act)}, \text{ where } n = \text{the number of points} \quad \text{Equation 9}$$

$$OC = \frac{20.9 - \%O_{2c}}{20.9 - \%O_{2m}} \quad \text{Equation 10}$$

$$\%O_{2m} = \frac{1}{n} \sum_{i=1}^n \%O_{2i}, \text{ where } n = \text{the number of } O_2 \text{ measurements} \quad \text{Equation 11}$$

Where,

c	= Parameter concentration
m	= Parameter mass
m_i	= Net analytical mass (mg, ng, or μg)
$m_{ana,i}$	= Analytical mass (mg, ng, or μg)
m_{blank}	= Blank analytical mass (mg, ng, or μg)
m_{part}	= Total particulate mass (mg)
m_{filter}	= Net particulate gain from filter (mg)
m_{pw}	= Net particulate gain from probe wash (mg)
m_{HF}	= Net mass of HF (mg)
m_F	= Net mass of F (μg)
$V_{std(imp)}$	= Sample volume at standard conditions (ft^3)
V_{std}	= Sample volume at standard conditions (m^3)
V_{samp}	= Sample volume at actual conditions (ft^3)
V_{final}	= Final gas meter reading (ft^3)
V_{init}	= Initial gas meter reading (ft^3)
T_{std}	= Standard temperature (68 °F)
T_m	= Gas meter temperature (°F)
$T_{m(ave)}$	= Average gas meter temperature (°F)
P_m	= Absolute meter pressure (inches of Hg)
P_B	= Barometric pressure (inches of Hg)
P_{std}	= Standard barometric pressure (29.92 inches of Hg)
ΔH_{ave}	= Average of individual point orifice pressures (inches of H_2O)
$\Delta H_{i(act)}$	= Individual recorded point orifice pressures (inches of H_2O)
OC	= Oxygen correction factor (dimensionless)
$\%O_{2c}$	= Oxygen concentration to correct to (% dry basis)
$\%O_{2i}$	= Individual oxygen measurements (% dry basis)
$\%O_{2m}$	= Average measured stack gas oxygen concentration (% dry basis)

Equation 1 is the general concentration calculation used for all parameters. The mass, m , is the net analytic mass for the given parameter. For particulate, m is the sum of the mass contributed from probe washing and filter particulate.

For trace metals and Hg, m is the blank corrected (Equation 3) analytical result (Appendix 1) for each metals species and run. If the analytical result was below the detection limit, half of the detection limit (DL) was used for m in Equation 1.

The HF concentration was calculated from analytic results. Equation 4 was used to convert the F mass to HF, and this result was used as m in equation 1. As with the trace metals, half the detection limit was substituted for results that were non-detectable.

2.2.2 Isokinetic Variation Calculations

$$\Delta H_i = \frac{2.62 \times 10^7 \times c_p \times A_n \times (1 - B_{wo}) \times M_D \times (T_m + 459.67) \times \Delta p_i}{k_o \times M_w \times (T_{Stk} + 459.67)} \quad \text{Equation 12}$$

$$R_m = 85.49 \times c_p \times \sqrt{\Delta p_i} \times \sqrt{\frac{(T_{Stk_i} + 459.67)}{M_w \times P_B}} \times 60 \times A_n \times \frac{(T_{m_i} + 459.67) \times (1 - B_{wo})}{(T_{Stk_i} + 459.67) \times y} \quad \text{Equation 13}$$

$$A_n = \pi \left(\frac{d_n}{24} \right)^2 \quad \text{Equation 14}$$

$$M_w = M_D \times (1 - B_{wo}) + 18 \times B_{wo} \quad \text{Equation 15}$$

$$M_D = 0.44 \times \%CO_2 + 0.32 \times \%O_2 + 0.28 \times (100 - \%CO_2 - \%O_2) \quad \text{Equation 16}$$

$$T_{Stk} = \frac{1}{n} \sum_{i=1}^n T_{Stk_i}, \text{ where } n = \text{the number of points} \quad \text{Equation 17}$$

$$B_{wo} = \frac{V_{cond}}{V_{cond} + V_{std(imp)}} \quad \text{Equation 18}$$

$$V_{cond} = 0.04707 \times V_{gain} \quad \text{Equation 19}$$

$$Iso = \frac{1}{n} \sum_{i=1}^n Iso_i, \text{ where } n = \text{the number of points} \quad \text{Equation 20}$$

$$Iso_i = \frac{v_{nzi}}{v_i} \quad \text{Equation 21}$$

$$v_i = 85.49 \times c_p \times \sqrt{\Delta p_i} \times \sqrt{\frac{(T_{Stk_i} + 459.67)}{(P_{Stk} \times M_w)}} \quad \text{Equation 22}$$

$$v_{nzi} = \frac{(V_i - V_{i-1}) \times y \times (T_{Stk_i} + 459.67) \times (P_B + \frac{\Delta H_{i(act)}}{13.6})}{A_n \times t_i \times 60 \times (T_{m(i)} + 459.67) \times P_{Stk} \times (1 - B_{wo})} \quad \text{Equation 23}$$

$$P_{stk} = P_B + \frac{P_g}{13.6} \quad \text{Equation 24}$$

$$v_{stk} = \frac{1}{n} \sum_{i=1}^n v_i, \text{ where } n = \text{the number of points} \quad \text{Equation 25}$$

$$v_{nz} = \frac{1}{n} \sum_{i=1}^n v_{nzi}, \text{ where } n = \text{the number of points} \quad \text{Equation 26}$$

Where,

A_n	= Nozzle area (ft ²)
d_n	= Diameter of nozzle (inches)
c_p	= Pitot coefficient (dimensionless)
Δp_i	= Individual point differential pressures (inches of H ₂ O)
T_{stk}	= Average flue gas temperature (°F), second subscript <i>i</i> , indicates individual point measurements
T_m	= Average gas meter temperature (°F), second subscript <i>i</i> , indicates individual point measurements
k_o	= Gas meter calibration constant (dimensionless)
y	= Gas meter calibration factor (dimensionless)
$\Delta H_{i(act)}$	= Calculated individual point orifice pressures (inches of H ₂ O)
P_g	= Stack Static pressure (inches of H ₂ O)
P_{stk}	= Absolute stack pressure (inches of Hg)
M_w	= Wet gas molecular weight (g/gmol)
M_D	= Dry gas molecular weight (g/gmol)
%CO ₂	= Stack gas carbon dioxide concentration (% dry basis)
%O ₂	= Stack gas oxygen concentration (% dry basis)
B_{wo}	= Stack gas water vapour, proportion by volume
V_i	= Gas meter reading at individual point(ft ³)
t_i	= Sample time at each point (minutes)
V_{cond}	= Total volume of water vapor collected, corrected to standard conditions (ft ³)
V_{gain}	= Condensate gain of impinger contents (mL)
P_{std}	= Standard pressure (29.92 inches of Hg)
v_{stk}	= Average flue gas velocity (ft/sec)
v_i	= Individual point flue gas velocity (ft/sec)
v_{nz}	= Average velocity at nozzle(ft/sec)
v_{nzi}	= Individual point velocity at nozzle(ft/sec)
ISO_i	= Individual point isokinetic variation (%)
ISO	= Average isokinetic variation (%)
R_m	= Isokinetic sampling rate (ft ³ /min)

2.2.3 Volumetric Flowrate Calculations

$$Q_S = Q_A \times \frac{(T_{Std} + 459.67)}{(T_{Stk} + 459.67)} \times \frac{P_{Stk}}{P_{Std}} \quad \text{Equation 27}$$

$$Q_A = \frac{v_{stk} \times 60 \times A_{stk}}{35.315} \quad \text{Equation 28}$$

$$A_{stk} = \pi \left(\frac{d}{24} \right)^2 \quad \text{Equation 29}$$

Where,

Q_A = Actual flowrate (Am^3/min)
 Q_S = Flowrate (m^3/min) at standard conditions on a dry basis
 A_{stk} = Area of stack (ft^2)
 d = Diameter of stack (inches)

3 DETAILED TEST RESULTS

The results of stack emissions were calculated using a “STACK” computer program developed by A. Lanfranco and Associates for BC MOE requirements.

Tables 3-11 present the detailed results of all emissions parameters tested for each of the units. Additional data and the computer outputs can be found in the accompanying Appendices.

Table 3: Unit 1 Summary of Emission Test Results

Parameter	Run 1	Run 2	Run 3	Average
Test Date - Particulate/Metals	16-Nov-20	17-Nov-20	17-Nov-20	
Test Time - Particulate/Metals	11:33 - 13:35	08:58 - 10:59	11:27 - 13:28	
Duration - Minutes	120	120	120	
Test Date - Acid Gases	17-Nov-20	17-Nov-20	17-Nov-20	
Test Time - Acid Gases	09:22 - 10:22	10:39 - 11:39	11:54 - 12:54	
Duration - Minutes	60	60	60	
Stack Temperature (°C)	158	154	160	157
Average Gas Velocity (m/s)	12.1	12.3	13.1	12
Dry Flow Rate (m ³ /min)	1005	997	1033	1012
Moisture (Vol. %)	16.5	16.3	17.5	16.8
Oxygen (Vol. %)(dry basis)	8.8	8.9	8.8	8.8
Carbon Dioxide (Vol. %)(dry basis)	10.5	10.7	10.6	10.6
Particulate (mg/m ³ @ 11% O ₂)	1.22	0.65	0.46	0.78
Hydrogen Fluoride (mg/m ³ @ 11% O ₂)	0.011	0.008	0.013	0.011
Nitrous Oxide (mg/m ³ @ 11% O ₂)*	6.2	8.1	20.6	11.6
Ammonia (mg/m ³ @ 11% O ₂)	1.1	1.6	3.9	2.0
Trace Metals - Operational Certificate List (mg/m³ @ 11% O₂)				
OC Class (Pb, As and Cr)	0.00587	0.01083	0.00088	0.00586
Aluminum (mg/m ³ @ 11% O ₂)	0.01173	0.02608	0.01294	0.01692
Cadmium (mg/m ³ @ 11% O ₂)	0.00008	0.00308	0.00008	0.00108
Lead (mg/m ³ @ 11% O ₂)	0.00519	0.00475	0.00047	0.00347
Mercury (mg/m ³ @ 11% O ₂)	0.00081	0.00196	0.00191	0.00156
Phosphorus (mg/m ³ @ 11% O ₂)	0.00067	0.04347	0.00079	0.01498
Isokinetic Variation (%)	102	104	105	104

*N₂O was sampled on Nov 17, 2020

All data is corrected to standard conditions (S) of 20 °C, 101.325 kPa (dry) unless otherwise noted.

Table 4: Unit 1 Trace Metals Emissions (OC Class)

Metal	Test 1 (mg/m ³ @ 11% O ₂)	Test 2 (mg/m ³ @ 11% O ₂)	Test 3 (mg/m ³ @ 11% O ₂)	Average (mg/m ³ @ 11% O ₂)
OC Class				
Pb	0.00519	0.00475	0.00047	0.00347
As	0.00034	0.00301	0.00032	0.00122
Cr	0.00034	0.00307	0.00009	0.00117
Sum of OC Class	0.00587	0.01083	0.00088	0.00586
Other				
Al	0.01173	0.02608	0.01294	0.01692
Cd	0.00008	0.00308	0.00008	0.00108
P	0.00067	0.04347	0.00079	0.01498
Hg	0.00081	0.00196	0.00191	0.00156

All data is corrected to standard conditions (S) of 20 °C, 101.325 kPa (dry) unless otherwise noted.

Table 5: Unit 1 Detailed Trace Metals Emissions

Metal	Test 1 (mg/m ³ @ 11% O ₂)	Test 2 (mg/m ³ @ 11% O ₂)	Test 3 (mg/m ³ @ 11% O ₂)	Average (mg/m ³ @ 11% O ₂)
Pb	0.00519	0.00475	0.00047	0.00347
Sb	0.00134	0.00176	0.00079	0.00129
Cu	0.00114	0.00425	0.00069	0.00203
Mn	0.00101	0.00339	0.00025	0.00155
V	0.00034	0.00318	0.00032	0.00128
Zn	0.00208	0.00502	0.00208	0.00306
As	0.00034	0.00301	0.00032	0.00122
Cr	0.00034	0.00307	0.00009	0.00117
Co	0.00021	0.00339	0.00008	0.00122
Ni	0.01142	0.00950	0.00221	0.00771
Se	0.00065	0.00189	0.00106	0.00120
Te	0.00067	0.00234	0.00063	0.00121
Tl	0.00020	0.00465	0.00047	0.00177
Cd	0.00008	0.00308	0.00008	0.00108
Hg	0.00081	0.00196	0.00191	0.00156

All data is corrected to standard conditions (S) of 20 °C, 101.325 kPa (dry) unless otherwise noted.

Table 6: Unit 2 Summary of Emission Test Results

Parameter	Run 1	Run 2	Run 3	Average
Test Date - Particulate/Metals	17-Nov-20	18-Nov-20	18-Nov-20	
Test Time - Particulate/Metals	10:04 - 12:08	09:28 - 11:31	12:01 - 14:03	
Duration - Minutes	120	120	120	
Test Date - Acid Gases	18-Nov-20	18-Nov-20	18-Nov-20	
Test Time - Acid Gases	10:00 - 11:00	11:10 - 12:10	12:32 - 13:32	
Duration - Minutes	60	60	60	
Stack Temperature (°C)	155	151	154	153
Average Gas Velocity (m/s)	13.7	13.1	13.1	13
Dry Flow Rate (m ³ /min)	1123	1112	1087	1108
Moisture (Vol. %)	15.9	14.8	16.1	15.6
Oxygen (Vol. %)(dry basis)	10.0	9.4	9.3	9.6
Carbon Dioxide (Vol. %)(dry basis)	10.0	10.7	11.1	10.6
Particulate (mg/m³ @ 11% O₂)	1.25	1.21	1.76	1.41
Hydrogen Fluoride (mg/m³ @ 11% O₂)	0.020	0.023	0.044	0.029
Nitrous Oxide (mg/m³ @ 11% O₂)*	0.2	0.2	29.1	9.8
Ammonia (mg/m³ @ 11% O₂)	4.7	4.6	3.6	3.0
Trace Metals - Operational Certificate List (mg/m³ @ 11% O₂)				
OC Class (Pb, As and Cr)	0.03595	0.00214	0.00124	0.01311
Aluminum (mg/m³ @ 11% O₂)	0.00657	0.00399	0.00792	0.00616
Cadmium (mg/m³ @ 11% O₂)	0.00008	0.00009	0.00009	0.00009
Lead (mg/m³ @ 11% O₂)	0.00049	0.00100	0.00052	0.00067
Mercury (mg/m³ @ 11% O₂)	0.00046	0.00060	0.00055	0.00054
Phosphorus (mg/m³ @ 11% O₂)	0.00082	0.00091	0.00086	0.00086
Isokinetic Variation (%)	107	101	103	104

*N₂O was sampled on Nov 18, 2020.

All data is corrected to standard conditions (S) of 20 °C, 101.325 kPa (dry) unless otherwise noted.

Table 7: Unit 2 Trace Metals Emissions (OC Class)

Metal	Test 1 (mg/m ³ @ 11% O ₂)	Test 2 (mg/m ³ @ 11% O ₂)	Test 3 (mg/m ³ @ 11% O ₂)	Average (mg/m ³ @ 11% O ₂)
OC Class				
Pb	0.0005	0.0010	0.0005	0.0007
As	0.0003	0.0002	0.0003	0.0003
Cr	0.0351	0.0010	0.0004	0.0122
Sum of OC Class	0.0359	0.0021	0.0012	0.0131
Other				
Al	0.00657	0.00399	0.00792	0.0062
Cd	0.00008	0.00009	0.00009	0.0001
P	0.00082	0.00091	0.00086	0.0009
Hg	0.00046	0.00060	0.00055	0.0005

All data is corrected to standard conditions (S) of 20 °C, 101.325 kPa (dry) unless otherwise noted.

Table 8: Unit 2 Detailed Trace Metals Emissions

Metal	Test 1 (mg/m ³ @ 11% O ₂)	Test 2 (mg/m ³ @ 11% O ₂)	Test 3 (mg/m ³ @ 11% O ₂)	Average (mg/m ³ @ 11% O ₂)
Pb	0.00049	0.00100	0.00052	0.00067
Sb	0.00099	0.00091	0.00241	0.00143
Cu	0.00191	0.00094	0.00025	0.00103
Mn	0.00154	0.00199	0.00062	0.00139
V	0.00033	0.00054	0.00034	0.00041
Zn	0.00289	0.00395	0.00172	0.00286
As	0.00033	0.00018	0.00034	0.00028
Cr	0.03513	0.00096	0.00038	0.01216
Co	0.00017	0.00009	0.00009	0.00012
Ni	0.02521	0.00634	0.00307	0.01154
Se	0.00049	0.00054	0.00052	0.00052
Te	0.00066	0.00073	0.00069	0.00069
Tl	0.00187	0.00085	0.00212	0.00161
Cd	0.00008	0.00009	0.00009	0.00009
Hg	0.00046	0.00060	0.00055	0.00054

All data is corrected to standard conditions (S) of 20 °C, 101.325 kPa (dry) unless otherwise noted.

Table 9: Unit 3 Summary of Emission Test Results

Parameter	Run 1	Run 2	Run 3	Average
Test Date - Particulate/Metals	18-Nov-20	19-Nov-20	19-Nov-20	
Test Time - Particulate/Metals	12:34 - 14:36	08:57 - 11:00	11:11 - 13:12	
Duration - Minutes	120	120	120	
Test Date - Acid Gases	19-Nov-20	19-Nov-20	19-Nov-20	
Test Time - Acid Gases	09:54 - 10:54	11:14 - 12:14	12:29 - 13:29	
Duration - Minutes	60	60	60	
Stack Temperature (°C)	159	158	159	159
Average Gas Velocity (m/s)	13.5	13.3	13.3	13.4
Dry Flow Rate (m ³ /min)	1111	1123	1118	1117
Moisture (Vol. %)	15.9	15.6	16.0	15.8
Oxygen (Vol. %)(dry basis)	10.8	10.6	10.0	10.5
Carbon Dioxide (Vol. %)(dry basis)	10.0	9.7	9.9	9.9
Particulate (mg/m³ @ 11% O₂)	0.54	0.58	0.04	0.38
Hydrogen Fluoride (mg/m³ @ 11% O₂)	0.003	0.003	0.003	0.003
Nitrous Oxide (mg/m³ @ 11% O₂)*	3.4	3.4	7.2	4.7
Ammonia (mg/m³ @ 11% O₂)	4.1	4.9	4.5	3.8
Trace Metals - Operational Certificate List (mg/m³ @ 11% O₂)				
OC Class (Pb, As and Cr)	0.00279	0.00175	0.00272	0.00242
Aluminum (mg/m³ @ 11% O₂)	0.00215	0.00188	0.00177	0.00193
Cadmium (mg/m³ @ 11% O₂)	0.00011	0.00009	0.00009	0.00010
Lead (mg/m³ @ 11% O₂)	0.00064	0.00056	0.00154	0.00092
Mercury (mg/m³ @ 11% O₂)	0.00101	0.00209	0.00180	0.00164
Phosphorus (mg/m³ @ 11% O₂)	0.00107	0.00094	0.00089	0.00097
Isokinetic Variation (%)	101	102	104	102

*N₂O was sampled on Nov 19, 2020

All data is corrected to standard conditions (S) of 20 °C, 101.325 kPa (dry) unless otherwise noted.

Table 10: Unit 3 Trace Metals Emissions (OC Class)

Metal	Test 1 (mg/m ³ @ 11% O ₂)	Test 2 (mg/m ³ @ 11% O ₂)	Test 3 (mg/m ³ @ 11% O ₂)	Average (mg/m ³ @ 11% O ₂)
OC Class				
Pb	0.00064	0.00056	0.00154	0.00092
As	0.00142	0.00038	0.00035	0.00072
Cr	0.00073	0.00081	0.00082	0.00079
Sum of OC Class	0.00279	0.00175	0.00272	0.00242
Other				
Al	0.00215	0.00188	0.00177	0.0019
Cd	0.00011	0.00009	0.00009	0.0001
P	0.00107	0.00094	0.00089	0.0010
Hg	0.00101	0.00209	0.00180	0.0016

All data is corrected to standard conditions (S) of 20 °C, 101.325 kPa (dry) unless otherwise noted.

Table 11: Unit 3 Detailed Trace Metals Emissions

Metal	Test 1 (mg/m ³ @ 11% O ₂)	Test 2 (mg/m ³ @ 11% O ₂)	Test 3 (mg/m ³ @ 11% O ₂)	Average (mg/m ³ @ 11% O ₂)
Pb	0.00064	0.00056	0.00154	0.00092
Sb	0.00107	0.00094	0.00089	0.00097
Cu	0.00011	0.00009	0.00009	0.00010
Mn	0.00011	0.00008	0.00004	0.00008
V	0.00043	0.00038	0.00035	0.00039
Zn	0.00069	0.00203	0.00114	0.00128
As	0.00142	0.00038	0.00035	0.00072
Cr	0.00073	0.00081	0.00082	0.00079
Co	0.00011	0.00009	0.00019	0.00013
Ni	0.00109	0.00405	0.00305	0.00273
Se	0.00043	0.00173	0.00053	0.00090
Te	0.00086	0.00075	0.00071	0.00077
Tl	0.00118	0.00195	0.00302	0.00205
Cd	0.00011	0.00009	0.00009	0.00010
Hg	0.00101	0.00209	0.00180	0.00164

All data is corrected to standard conditions (S) of 20 °C, 101.325 kPa (dry) unless otherwise noted.

4 DISCUSSION

All Units are in compliance with limits as set out in the OC.

As stated in Section 2.1, EPA Method 5/29 was modified slightly to accommodate performance based analytical protocols utilized in B.C. for trace metals sampling and analysis. The analytical modification consists of using volumes of recovery reagents different than the method stipulates. In order to validate (ie performance-based QA) the modification, sample Blanks and all samples were made up to the same volume, so that subtraction of the Blank data, was done on equivalent sample sizes. In addition, special Hg spiking of blank filters and peroxide solutions was conducted. This spiking is referred to as a “matrix spike” and is reported in Appendix B, Quality Control for mercury, where the recovery of spiked mercury was calculated to be an acceptable 85 to 115%. It should be noted that independent front half/back half analysis of all trace metals was conducted for this survey. In addition, individual quartz filter blanks were analyzed for each unit.

Sampling was conducted in accordance with their respective reference methods (EPA 29 except as discussed) and passed all appropriate quality assurance and quality control criteria. There was one point from the first particulate/metals run on Unit 1, one point from the first run on Unit 2, and one point from the third run on Unit 3 that were not 100 +/- 10% isokinetics. The overall isokinetics for the three mentioned runs are still 100 +/- 10% and there was less than 10% of the points that fell out of this range, thus all three of the mentioned runs are deemed valid.

All sampling was conducted/supervised by certified emission testing personnel, using calibrated source sampling equipment and quality-controlled reagents. It is therefore stated that the survey and this report complies with the MV’s WTEF compliance testing requirements for this fourth survey in 2020.